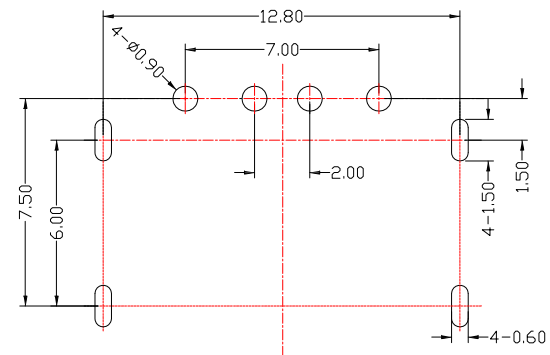
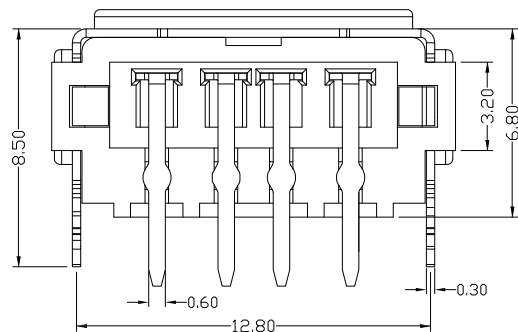




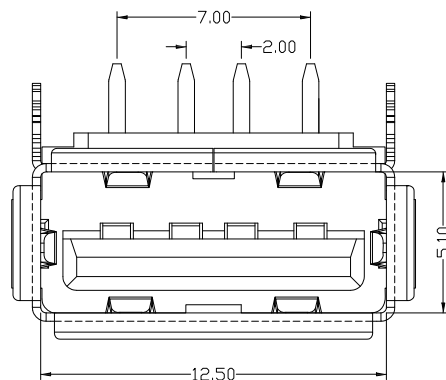
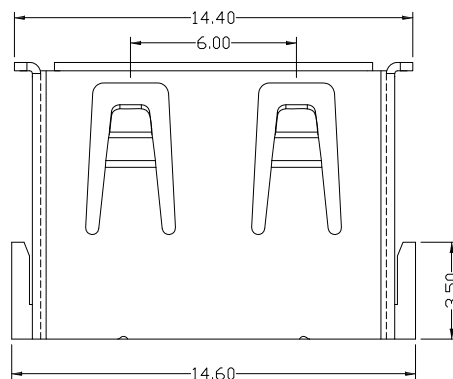
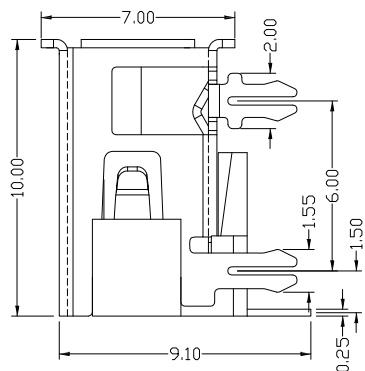
SUA-110H4-x-S235

COLOR :

- Black: B
- White : W



PCB LAYOUT MOUNTING PATTERN



SPECIFICATIONS

Electrical:

1. Dielectric Withstanding Voltage: AC 500 V / 1MIN
2. Insulation Resistance: 1,000 MΩ Min
3. Contact Resistance: 30 mΩ Max
4. Operating Temperature: -25°C ~ 85°C

Mechanical:

1. Mechanical Characteristics:
  - Insertion force: 3.57 kgf (Max)
  - Extraction force: 1.02 kgf (Min)

Material:

1. Housing: LCP
2. Contact: Phosphor Bronze
3. Shell: Brass

Finish:

1. Contact: Plated Gold in Mating Area ;  
Tin Plated on Solder Balls  
Nickel under plated overall
2. Shell: Nickel under Plated surface layer



TOLERANCE UNLESS OTHERWISE STATED :  
 Up to 5 ±0.2  
 Above 5 ~ 15 ±0.3  
 Above 15 ~ 30 ±0.4  
 Above 30 ~ 50 ±0.5  
 Angle ±0.3°

3RD. ANGEL'S



UNITS MM

DRAWN BY:	DATE	MAT'L	TITLE	CONNECTOR
Jack Lu	10/21/13		MODLE	USB AF 10.0插板四脚有卷邊 ±6.8
CHECKED BY:	DATE	FINISH	DWG NO.	SUA-110H4-x-S235
Jacky Chen	10/21/13	SCALE 1 : 1	PART NO.	SUA-110H4-x-S235
APPROVED BY:	DATE	SHEET NO.	1 of 1	
Tony Kao	10/21/13			

2	更新Operating Temperature	102113	Jack
1	更新SPEC和PCB尺寸更新及新增尺寸	090513	Jack
ITEM NO.	DESCRIPTION	DRAWN	DATE